

## Zubehör Radialventilatoren

### DRPA - Ansaug-/Berührschutzgitter

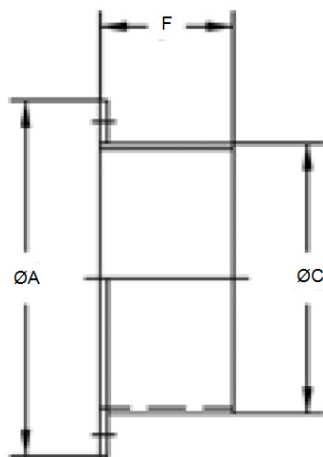


	DCMA DCMAT	DCMC	DCB	DCBP	DCAS	DCA	DCAM	DCMP	DCMT	DCMR-X DCMR
DRPA-10	-	-	-	-	-	-	-	38	-	-
DRPA-11	218	-	-	-	-	-	-	-	-	-
DRPA-13	324	-	-	-	-	234	-	-	-	-
DRPA-15	325 426	-	-	-	242	142	-	512	-	-
DRPA-17	527	-	-	-	248	148	-	514	-	-
DRPA-18	528	-	-	-	254	154	-	-	-	-
DRPA-20	531	-	-	-	260	-	616	-	-	-
DRPA-23	-	628 630	-	-	680	160 166 172	540 545	718	922	-
DRPA-25	540 545	835 840	820	-	790	-	-	620 820	1025	-
DRPA-28	-	-	-	-	463 467	-	550 752	922	1128	-
DRPA-31	-	-	1428	-	571 640 645 650 980 1080	-	760	1025	1231	-
DRPA-35	-	-	-	-	852 990 1090	-	-	1128	1435 1640	-
DRPA-38	-	-	1733	-	-	-	880	1231	-	1031
DRPA-42	-	-	-	-	856	-	-	1435	1845	1135
DRPA-44	-	-	-	-	1250 A	-	-	-	-	-
DRPA-47	-	-	2240	-	863 971	-	-	1640	2050	1240
DRPA-48	-	-	-	-	1456 A	-	-	-	-	-
DRPA-52	-	-	-	1445	-	-	-	1845	-	1445
DRPA-55	-	-	-	-	-	-	-	-	-	-
DRPA-60	-	-	-	1650	-	-	-	2050	-	1650
DRPA-65	-	-	-	-	1663 A	-	-	-	-	-
DRPA-66	-	-	-	1856	-	-	-	-	-	1856
DRPA-73	-	-	-	-	1671 A- 2071 A	-	-	2563	-	2063
DRPA-81	-	-	-	-	2080 A	-	-	-	-	2271
DRPA-88	-	-	-	-	-	-	-	-	-	2380
DRPA-90	-	-	-	-	-	-	-	-	-	2590
DRPA-100	-	-	-	-	-	-	-	-	-	28100

## B - Gegenflansch, Rohrstützen



Passend für gängige Lüftungsrohre



	A	C	F
B-52-E	100	52	67
B-63	110	63	60
B-80	150	80	60
B-80-E	150	80	60
B-100	150	100	60
B-100-E	170	100	60
B-112	160	112	60
B-125	180	125	60
B-140	190	140	60
B-150	210	150	60
B-160	220	160	60
B-160/1	220	160	60
B-180	240	180	60
B-200	260	200	60
B-224	280	224	60
B-250/1	310	250	80
B-250/2	310	250	80
B-250/3	310	250	80
B-250/4	310	250	80
B-250/5	310	250	80
B-280/1	350	280	80
B-280/2	350	280	80
B-280/3	350	280	80
B-315/1	350	315	80
B-315/2	380	315	80
B-315/3	380	315	80
B-315/4	380	315	80
B-355/1	430	355	80
B-355/2	430	355	80
B-355/3	430	355	80
B-355/4	430	355	80
B-400/1	480	400	80
B-400/2	480	400	80
B-400/3	480	400	80
B-400/4	480	400	80
B-450/1	530	450	80
B-450/2	530	450	80
B-450/3	530	450	80
B-500/1	590	500	80
B-500/2	590	500	80
B-500/3	590	500	80
B-500/4	590	500	80
B-500/5	590	500	80
B-560/1	650	560	80
B-560/2	650	560	80
B-560/3	650	560	80
B-630/1	720	630	80
B-630/2	720	630	80
B-630/3	720	630	80
B-630/4	720	630	80
B-710/1	800	710	80
B-710/2	800	710	80
B-710/3	800	710	80
B-800	890	800	100
B-900/1	1000	900	100
B-1000/1	1100	1000	100

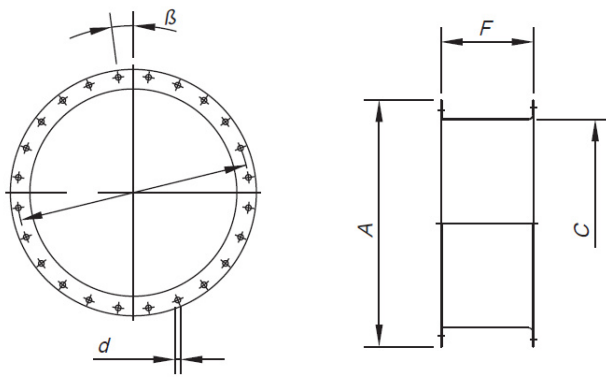
	Ansaug										Ausblas	
	DCMA DCMAT	DCB	DCAS	DCA	DCAM	DCMP	DCMC	DCMT	DCBP	DCMR-X DCMR	DCMAT DCMA	DCA
B-52-E	-	-	-	-	-	-	-	-	-	-	-	234
B-63	-	-	-	-	-	-	-	-	-	-	218 324	142
B-80	218 324	-	-	-	-	-	-	-	-	-	325	-
B-80-E	-	-	-	-	-	-	-	-	-	-	-	148 154 160 166
B-100	325	-	-	234	-	-	-	-	-	-	426 527	-
B-100-E	-	-	242	142	-	-	-	-	-	-	-	172
B-112	426	-	248	148	-	512	-	-	-	-	-	-
B-125	527 528	-	254	154	-	-	-	-	-	-	528	-
B-140	-	-	-	-	-	514	-	-	-	-	-	-
B-150	531	-	260	160	-	-	628 630	-	-	-	531 540	-
B-160	-	-	-	-	-	616	-	-	-	-	-	-
B-160/1	-	-	680	-	-	-	-	-	-	-	-	-
B-180	540 545	-	790	166 172	540 545	718	-	922	-	-	545	-
B-200	-	820	463	-	-	620 820	835 840	1025	-	-	-	-
B-224	-	-	467	-	550 752	922	-	1128	-	622	-	-
B-250/1	-	-	571 640 645 650	-	-	-	-	1231	-	-	-	-
B-250/2	-	-	-	-	760	-	-	-	-	-	-	-
B-250/3	-	-	-	-	-	1025	-	-	-	625	-	-
B-250/4	-	1428	-	-	-	-	-	-	-	-	-	-
B-250/5	-	-	980 1080	-	-	-	-	-	-	-	-	-
B-280/1	-	-	852	-	-	-	-	1435 1640	-	728	-	-
B-280/2	-	-	-	-	-	1128	-	-	-	-	-	-
B-280/3	-	-	9907 1090	-	-	-	-	-	-	-	-	-
B-315/1	-	1733	-	-	-	-	-	-	-	-	-	-
B-315/2	-	-	-	-	880	-	-	-	-	-	-	-
B-315/3	-	-	-	-	-	-	-	-	-	1031	-	-
B-315/4	-	-	-	-	-	1231	-	-	-	731	-	-
B-355/1	-	-	-	-	-	-	-	-	-	1135	-	-
B-355/2	-	2240	863	-	-	-	-	-	-	-	-	-
B-355/3	-	-	856	-	-	1435	-	1845	-	-	-	-
B-355/4	-	-	1250/A	-	-	-	-	-	-	-	-	-
B-400/1	-	-	-	-	-	1640	-	-	-	-	-	-
B-400/2	-	-	-	-	-	-	-	-	-	1240	-	-
B-400/3	-	-	971	-	-	-	-	2050	-	-	-	-
B-400/4	-	-	1456/A	-	-	-	-	-	-	-	-	-
B-450/1	-	-	-	-	-	1845	-	-	-	-	-	-
B-450/2	-	-	-	-	-	-	-	-	-	1445	-	-
B-450/3	-	-	-	-	-	-	-	-	-	1445	-	-
B-500/1	-	-	-	-	-	2050	-	-	-	-	-	-
B-500/2	-	-	-	-	-	-	-	-	-	1650	-	-
B-500/3	-	-	-	-	-	-	-	-	-	1650	-	-
B-560/1	-	-	-	-	-	-	-	-	-	1856	-	-
B-560/2	-	-	-	-	-	-	-	-	-	1856	-	-
B-560/3	-	-	1663/A	-	-	-	-	-	-	-	-	-
B-630/1	-	-	-	-	-	2563	-	-	-	-	-	-
B-630/2	-	-	-	-	-	-	-	-	-	2063	-	-
B-630/3	-	-	-	-	-	-	-	-	-	-	-	-
B-630/4	-	-	1671/A-2071/A	-	-	-	-	-	-	-	-	-
B-710/1	-	-	-	-	-	-	-	-	-	2271	-	-
B-710/3	-	-	2080/A	-	-	-	-	-	-	-	-	-
B-800	-	-	-	-	-	-	-	-	-	2380	-	-
B-900/1	-	-	-	-	-	-	-	-	-	2590	-	-
B-1000/1	-	-	-	-	-	-	-	-	-	28100	-	-

## BD - Doppelflansch



Starrer Doppelflansch

Anzahl Bohrungen passend zu Ventilator

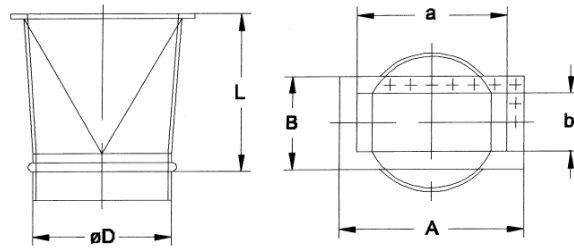
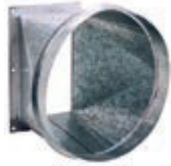


	ØA	ØC	ØD	Ød	F
<b>BD-200</b>	260	200	225	7	80
<b>BD-224</b>	280	224	254	7	80
<b>BD-250/1</b>	310	250	280	10	80
<b>BD-280</b>	350	280	320	10	100
<b>BD-315/3</b>	390	315	355	10	100
<b>BD-355/3</b>	430	355	395	10	100
<b>BD-400/1</b>	480	400	450	12	100
<b>BD-400/2</b>	480	400	450	12	100
<b>BD-450/1</b>	530	450	500	12	100
<b>BD-450/2</b>	530	450	500	12	100
<b>BD-500/2</b>	590	500	560	12	100
<b>BD-560</b>	650	560	620	12	120
<b>BD-630/2</b>	720	630	690	12	120
<b>BD-710</b>	800	710	770	12	120
<b>BD-800</b>	890	800	860	12	140
<b>BD-900/1</b>	1000	900	958	12	140
<b>BD-1000/1</b>	1100	1000	1067	14	140

	DCB	DCMP	DCMR-X DCMR	DCMC
<b>BD-112</b>	-	512	-	-
<b>BD-140</b>	-	514	-	-
<b>BD-160</b>	-	616	-	628/630
<b>BD-180</b>	-	718	-	-
<b>BD-200</b>	820	620 820	-	835/840
<b>BD-224</b>	-	922	-	-
<b>BD-250/1</b>	-	1025	-	-
<b>BD-250/2</b>	1428	-	-	-
<b>BD-280</b>	-	1128	-	-
<b>BD-315/1</b>	1733	-	-	-
<b>BD-315/2</b>	-	-	1031	-
<b>BD-315/3</b>	-	1231	-	-
<b>BD-355/1</b>	-	-	1135	-
<b>BD-355/2</b>	2240	-	-	-

	DCB	DCMP	DCMR-X DCMR	DCMC
<b>BD-355/3</b>	-	1435	-	-
<b>BD-400/1</b>	-	1640	-	-
<b>BD-400/2</b>	-	-	1240	-
<b>BD-450/1</b>	-	1845	-	-
<b>BD-450/2</b>	-	-	1445	-
<b>BD-500/1</b>	-	2050	-	-
<b>BD-500/2</b>	-	-	1650	-
<b>BD-560</b>	-	-	1856	-
<b>BD-630/1</b>	-	2563	-	-
<b>BD-630/2</b>	-	-	2063	-
<b>BD-710</b>	-	-	2271	-
<b>BD-800</b>	-	-	2380	-
<b>BD-900/1</b>	-	-	2590	-
<b>BD-1000/1</b>	-	-	28100	-

## DBIC - Übergang „eckig auf rund“



	L	D	a	b	A	B		L	D	a	b	A	B		
DBIC-820-DCB	300	200	160	130	213	184	DCB-820	DBIC-512	300	112	86	75	118	104	DCMP-512
DBIC-1428	300	250	286	202	350	260	DCB-1428	DBIC-514	300	140	107	83	147	122	DCMP-514
DBIC-1733	300	280	339	240	415	315	DCB-1733	DBIC-616	300	160	125	103	172	153	DCMP-616
DBIC-2240	450	355	400	300	478	372	DCB-2240	DBIC-620	300	200	100	105	153	159	DCMP-620
DBIC-628	200	150	86	86	130	130	DCMC-628	DBIC-718	300	180	146	115	192	169	DCMP-718
DBIC-630	200	150	86	86	130	130	DCMC-630	DBIC-820	300	200	156	160	213	184	DCMP-820
DBIC-835	200	200	91	91	141	141	DCMC-835	DBIC-922	300	224	216	140	282	204	DCMP-922
DBIC-840	200	200	91	91	141	141	DCMC-840	DBIC-1025	300	250	250	165	314	229	DCMP-1025
DBIC-242	200	100	95	60	155	120	DCAS -242	DBIC-1128	300	280	300	180	364	244	DCMP-1128
DBIC-248	200	112	105	66	165	126	DCAS -248	DBIC-1231	300	315	320	200	384	266	DCMP-1231
DBIC-254	200	125	115	75	175	135	DCAS -254	DBIC-1435	300	355	280	228	344	294	DCMP-1435
DBIC-260	200	150	125	85	185	145	DCAS -260	DBIC-1640	300	400	320	250	404	336	DCMP-1640
DBIC-463	200	200	125	85	185	145	DCAS -463	DBIC-1845	450	450	360	284	444	370	DCMP-1845
DBIC-467	250	224	130	90	190	150	DCAS -467	DBIC-2050	450	500	450	315	545	412	DCMP-2050
DBIC-571	250	250	145	95	205	155	DCAS -571	DBIC-2563	450	630	600	410	706	512	DCMP-2563
DBIC-640	250	250	200	125	260	185	DCAS -640	DBIC-922-T	300	180	216	140	282	204	DCMT-922
DBIC-645	250	250	224	140	284	200	DCAS -645	DBIC-1025-T	300	200	250	165	314	229	DCMT-1025
DBIC-650	250	250	250	160	310	220	DCAS -650	DBIC-1128-T	300	224	300	180	364	244	DCMT-1128
DBIC-680	250	180	100	71	160	131	DCAS-680	DBIC-1231-T	300	250	320	200	384	266	DCMT-1231
DBIC-790	250	180	112	80	172	140	DCAS-790	DBIC-1435-T	300	280	280	228	344	294	DCMT-1435
DBIC-852	250	280	280	180	340	240	DCAS -852	DBIC-1640-T	300	280	320	250	404	336	DCMT-1640
DBIC-856	280	355	280	180	340	240	DCAS -856	DBIC-1845-T	450	355	360	284	444	370	DCMT-1845
DBIC-863	280	355	315	200	375	260	DCAS -863	DBIC-2050-T	450	400	450	315	545	412	DCMT-2050
DBIC-971	280	400	355	224	425	294	DCAS -971	DBIC-622	250	152	150	120	192	180	DCMR-622
DBIC-980	300	250	200	140	270	210	DCAS -980	DBIC-625	250	165	168	125	208	185	DCMR-625
DBIC-990	300	280	224	160	294	230	DCAS-990	DBIC-728	250	185	188	137	235	197	DCMR-728
DBIC-1080	300	250	200	140	270	210	DCAS-1080	DBIC-731	250	200	211	131	251	191	DCMR-731
DBIC-1090	300	280	224	160	294	230	DCAS-1090	DBIC-1031	300	315	315	250	385	320	DCMR-1031
DBIC-1250	450	400	400	280	480	360	DCAS -1250/A	DBIC-1135	450	355	355	280	425	350	DCMR-1135
DBIC-1456	450	450	450	315	530	395	DCAS -1456/A	DBIC-1240	450	400	400	315	480	395	DCMR-1240
DBIC-1663	450	500	500	355	580	435	DCAS -1663/A	DBIC-1445	450	450	450	355	540	445	DCMR-1445
DBIC-1671	450	630	560	400	660	500	DCAS-1671/A-2071/A	DBIC-1650	450	500	500	400	590	490	DCMR-1650
DBIC-2080	450	710	630	450	730	550	DCAS-2080/A	DBIC-1856	450	560	560	450	660	550	DCMR-1856
DBIC-540	300	180	140	120	224	206	DCAM-540	DBIC-2063	450	630	630	500	750	620	DCMR-2063
DBIC-545	300	180	170	135	255	222	DCAM-545	DBIC-2271	450	710	710	560	840	690	DCMR-2271
DBIC-550	300	224	200	150	296	246	DCAM-550	DBIC-2380	600	800	800	560	920	680	DCMR-2380
DBIC-752	300	224	200	160	296	256	DCAM-752	DBIC-2380/E	600	800	1120	560	1246	690	DCMR-2380-X
DBIC-760	300	250	220	180	316	276	DCAM-760	DBIC-2590	600	900	900	630	1020	750	DCMR-2590
DBIC-880	300	315	290	190	360	249	DCAM-880	DBIC-28100	600	1000	1000	710	1120	830	DCMR-28100
DBIC-1445/E	450	450	450	355	538	445	DCBP-1445	DBIC-1840	150	370	273	210	353	303	DCPV-1840
DBIC-1650/E	450	500	500	400	590	490	DCBP-1650	DBIC-2045	190	400	330	270	420	360	DCPV-2045
DBIC-1856/E	450	560	560	450	660	550	DCBP-1856								

### DACE - Flexible Manschetten



- zur Körperschallreduzierung
- passend für die Rohrstutzen, siehe Type B

### DCJ - Schalldämmeinhausung



- Außen verzinktes Stahlblech
- mit Stützfüße

#### DCJ/C:

- > saug- und druckseitiger Rohranschluss
- > Lüftungsgitter zur Motorbelüftung

#### DCJ/L

- > freie Ansaugung durch Ansaugschutzgitter
- > druckseitiger Rohranschluss möglich

	<b>DCAS</b>	<b>DCA</b>	<b>DCAM</b>
<b>DCJ-0</b>	640	154	540
<b>DCJ-1</b>	254/645	160	545
<b>DCJ-2</b>	260/463/650	166	550/752
<b>DCJ-3</b>	467/852/856	172	-
<b>DCJ-4</b>	571/863	-	760
<b>DCJ-5</b>	971	-	880

## DS - Schalldämpfer

- für Ansaugung oder Ausblas
- um die 9 bis 15 dB(A) Dämpfung bei 250 Hz

Fragen Sie die Schalldämpfer bitte an.

